

1 2 3 4 5 6 7 8

A

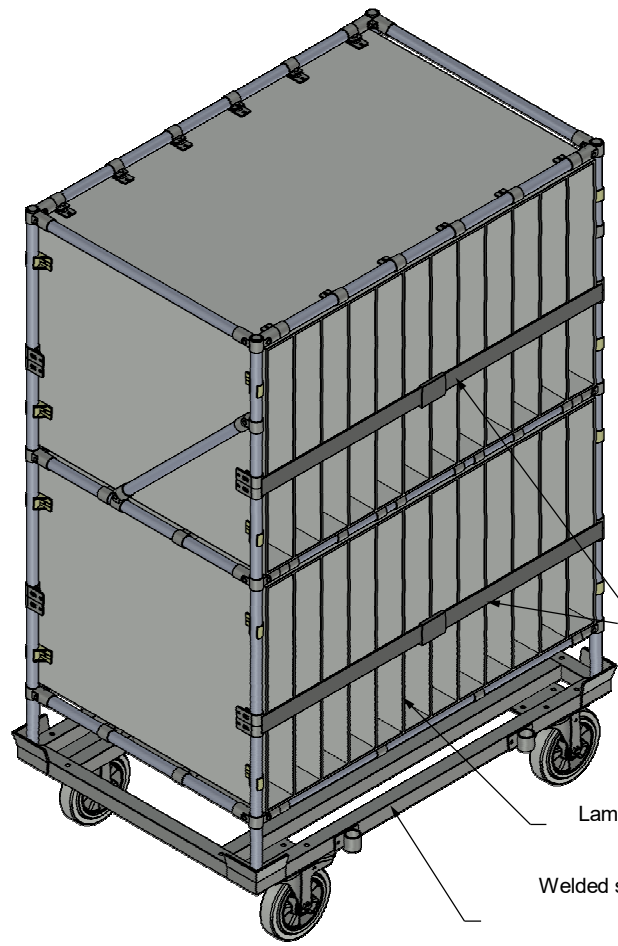
B

C

D

E

F

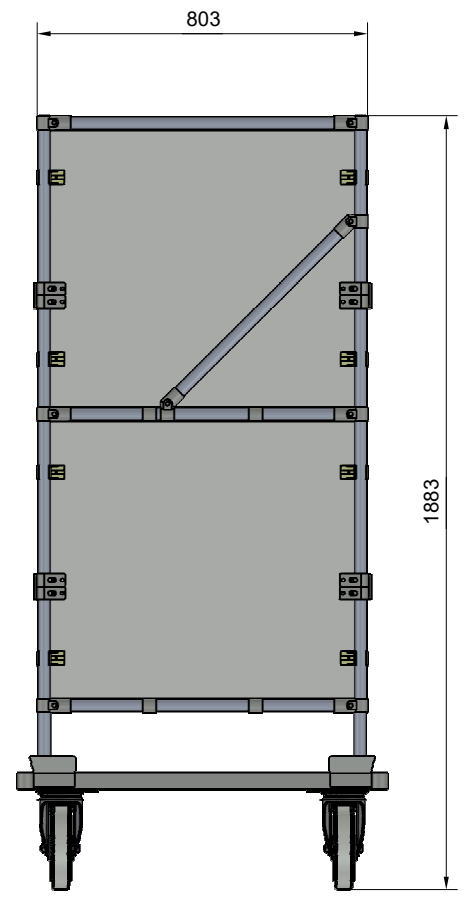
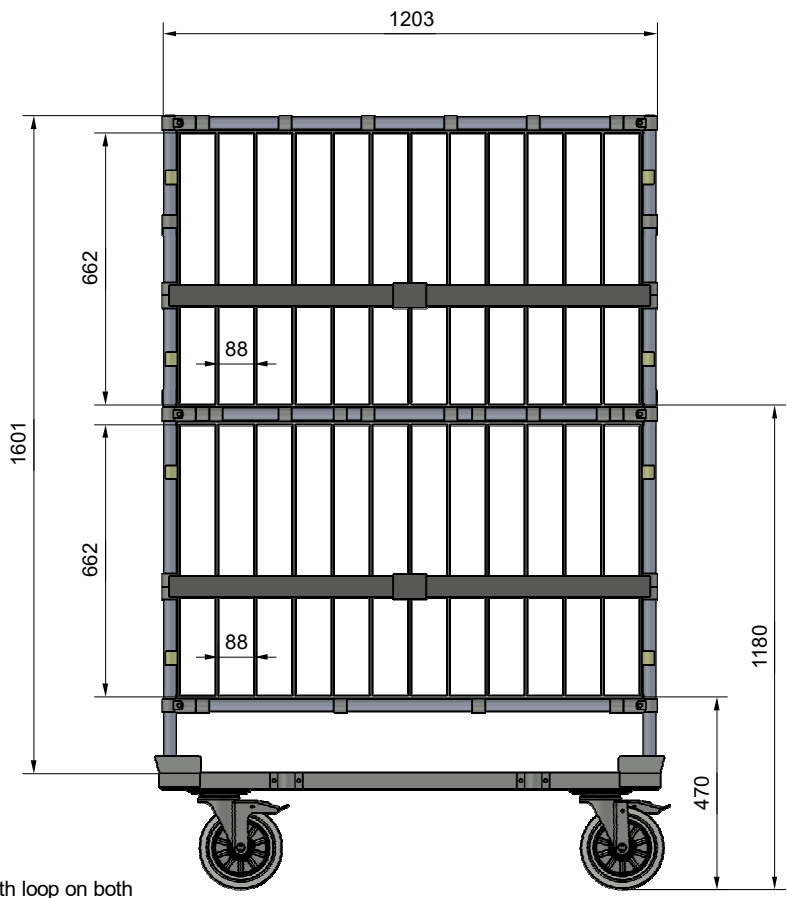


strap with loop on both side


Laminated PP insert with removable bottom in each partition.

Welded steel profile chassis, galvanized surface finish.

2x 200mm casters with brake  
2x 200m casters



Workshop accuracies for general tolerances - Tolerances for length and angle dimensions; DIN ISO 2768-1-v  
-Machining details and finish classification to DIN ISO 1302

E	Total load capacity*: <b>240 kg</b> (Celková nosnosť:*)		Load capacity - floor*: <b>120 kg</b> (nosnosť na patro:*)	
	Scale	<b>A3</b>	Drawn Vlach	Checked
	Title			Dat. <b>24.10.2024</b>
	Title <b>Trolley</b>			Sheet 1 of 1
				Doc.Nr <b>24102402</b>

This document is the sole property of Enprag s.r.o. and may not be copied, duplicated, used or given to third parties without the written permission from Enprag s.r.o. Misuse is subject to penalties and will be legally pursued

Tolerances for shape and condition:  
- DIN ISO 2768-2-K  
Tolerancing:  
- DIN 7167

1 2 3 4 5 6 7 8